

Specification

Model	TR-D2253WDZDL7
Image sensor	1/1.8" CMOS 5MP
Max resolution	5MP(2592x1920)
Main stream	50Hz: 5MP/4MP/3MP@25fps 60Hz: 5MP/4MP/3MP@30fps
Substream	50Hz: CIF/VGA/D1@25fps 60Hz: CIF/VGA/D1@30fps
Third stream	50Hz: D1/VGA/HVGA@25fps 60Hz: D1/VGA/HVGA@30fps
Electronic shutter speed	1/2 ~ 1/1 000 s
Day/Night mode	FTC
Sensitivity	0Lux (F1.0)
IR range	up to 70 m
LED range	up to 70 m (warm white)
Stroboscope	Yes
Lens (mm)	2.7 - 13.5 (motorzoom)
Field of view (horiz./vert.)	101.8° - 49.1°±5° / 54.1° - 28.8°±5°
Axes setting	Pan: 0° -360° Tilt: 0° -105° Rotation: 0° -360°
WDR	Real WDR (120dB)
Digital noise reduction	3D DNR
Video compression	H.265+ / H.265 / H.264 / MJPEG
Bitrate	up to 8Mbps
Local storage	MicroSD up to 256GB
Audio	Built-in microphone 1 in / 1 out
Alarm In / Out	1 / 1
Corridor mode	Yes
IVS	Yes

General

Power supply	PoE (802.3af) / 12V DC
PoE Class	0
Power consumption	DC: 8.1 W PoE: 13 W
Case material	Metal
Dimensions (mm)	234.3 x 77.5 x 73.4
Weight Net/Gross (g)	635 / 830
Protection	IP67, IK08
Power surge suppressor	TVS 4000V
Working temperature	-40°C ... +60°C

TR-D2253WDZDL7

Outdoor Dual Intelligent Illumination Camera



Technical support

[www: helpdesk.trassir.com](http://www.helpdesk.trassir.com)
[mail: helpdesk@trassir.com](mailto:helpdesk@trassir.com)

Data _____ Stamp _____

Here is the confirmation form for warranty assurance

Note: read user manual before using
Website: www.trassir.com
For any inquiry: info@trassir.com

Introduction

Congratulations on purchasing TR-D2253WDZDL7 IP-camera.
Please read User Manual before using the camera.

Key features

- Supports H.265+
- Wide Dynamic Range (Real WDR 120dB)
- IR range up to 70 m
- LED range up to 70 m
- Built-in video archive (Edge Storage) – local recording on MicroSD card* up to 256GB with HotSwap support
- Two-way audio (1 line in / 1 line out, built-in microphone)
- Alarm: 1 in / 1 out
- TCP/IP, HTTP, FTP, DHCP, DNS, DDNS, RTP, RTSP, RTCP, PPPoE, UPnP, SMTP, NTP, Onvif protocols
- IVS: Human detection; Face detection; Vehicle detection; Line crossing; Intrusion detection; People counting; Loitering
- Power supply 12V DC or PoE

* MicroSD Card is not included into camera package

Camera package

- | | |
|-----------------|-------|
| 1. IP camera | 1 pc. |
| 2. User Manual | 1 pc. |
| 3. Mounting kit | 1 pc. |

Attention!

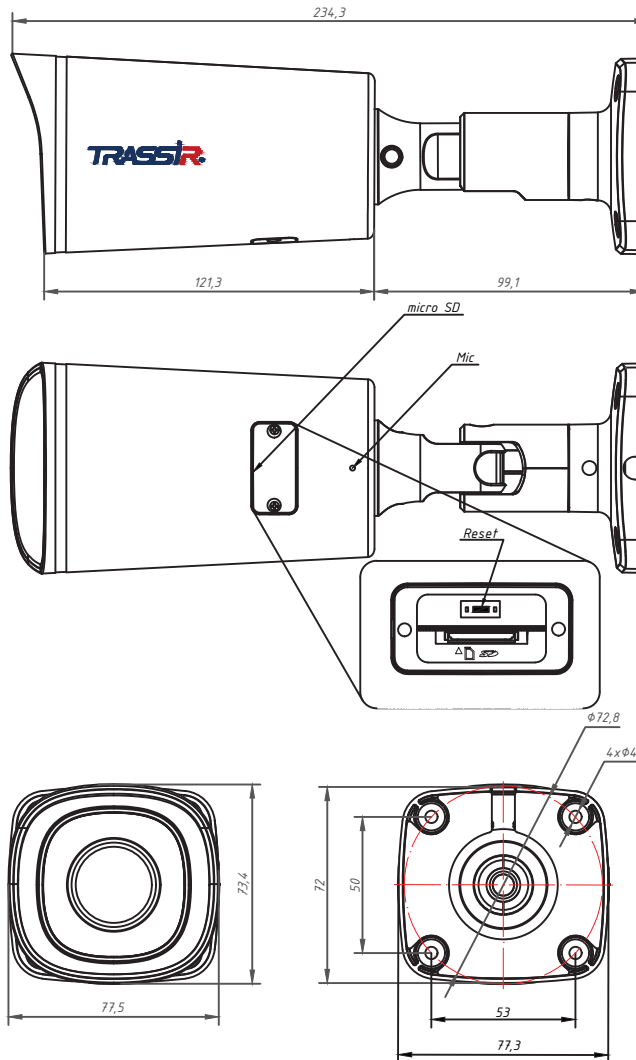
The power supply should meet the following requirements: output voltage, current, polarity, and working temperature. When using the camera in thunderstorm conditions, make sure there is a lightning rod or unplug the power connector.
Pay attention to the temperature requirements for IP camera operation. Avoid using the device in excessively high or low temperatures. Do not install the camera near heaters. Do not point the camera lens at the sun or at bright objects as this can damage the image sensor.

Connecting

To get started with the IP camera, you need a PC connected to the local network with Windows and Internet Explorer version 8 or higher installed.

1. Connect IP camera to the network.
2. When the camera is connected through a switch which doesn't support PoE, connect the adapter to the power jack.

Dimensions



Manual setting of network parameters

In order to connect to the IP camera, the PC should be in the same local network as the camera. The IP address of the camera, the PC and any other device on the network should not match.

The IP camera has the following default settings:

- IP address: 192.168.1.188
- Subnet mask: 255.255.0.0
- Gateway: 192.168.1.1
- HTTP-port: 80
- username: admin
- password: admin

PC network settings example:

- IP address: 192.168.1.10;
- Subnet mask: 255.255.0.0.

There are 3 options to set up your camera:

1. Change IP address of a camera manually.
Start your browser, connect to IP camera and enter your username and password. Choose appropriate menu item and change network settings of IP camera.
2. Set up camera IP address using fast configuration utility that can be downloaded from www.trassir.com.
3. Change IP camera settings using TRASSIR professional software.

You can find detailed camera settings instructions in User Manual that can be downloaded from trassir.com.